



FUNG YUAN

Sincere / Innovation / Profession
Responsibility / Enthusiasm

全自動排列
計數入袋封口機

FALC-Series

Automatic Counting, Grouping And Shrink Packaging Machine



包裝範例 Samples



鋒源機械有限公司

FUNG YUAN MACHINERY CO., LTD.

公司：台中市豐原區圓環北路二段321號

工廠：台中市豐原區東北街187號

Office : No.321, Sec.2, Yuan Hwan North Rd.,

Feng Yuan Dist., 420 Taichung, Taiwan

Factory : No.187, Tung Pei St., Feng Yuan Dist., Taichung, Taiwan

TEL : 886-4-25232986, 25227318, 25253217-8

FAX : 886-4-25276828

Http : //www.fungyuan.com E-mail : fungyuan@ms25.hinet.net



Sincere / Innovation / Profession
Responsibility / Enthusiasm

全自動排列 計數入袋封口機

FALC-6020-2

Automatic Counting, Grouping And Shrink Packaging Machine

FALC-6020-2 全自動排列計數入袋封口機 Automatic Counting, Grouping And Shrink Packaging Machine

特點:

- 商品大小容易調整，操作簡便，自動控制，無須熟練人員即可操作，提高生產效果。
- 集體包裝，可節省可觀的包裝材料費，節省人力，降低生產成本。
- 無論方形、圓形、扁型均可完美包裝。採用此機械產品底部無須再用紙盒墊底（自動分裝組合）。
- 機體結構堅固，防鏽烤漆處理，線條分明，造型美觀、耐用。
- 突破傳統，機械作業，以機電合一，增加生產能力，可配合電腦程序作業或PLC程控連結生產線使用最佳。
- 包裝材料：PE、PVC、OPP均適合使用。
- 適用例：玻璃瓶、塑膠瓶、鋁罐、鐵罐、紙盒類、硬殼類……等適合包裝。

Features:

- Easy to adjust for different packing sizes, simple operation, automatic control, and it can be operated by unexperienced worker to raise production efficiency.
- To pack collectively to save packing materials and labor so as to lower cost
- Available to pack for square, flat or round commodities, etc. With perfect & beautiful effects. Without paper box to cushion for the bottom of commodities which are being packed.
- Machine outward stranger with rustproof & backing treatment, thus it is beautiful & durable.
- To breakthrough traditional operating procedures, it adopts of electrical system to increase output capacity. Can be used with computer operation or PLC program controller connect with production line.
- Packing materials: available for PE, PVC, & OPP.
- Usage: for glass bottle, plastic bottle, aluminum can, iron can, paper box, etc, including hard shells.

FALC-6020-2 SPECIFICATION:

| 規格 SPECIFICATION | | 機型 MODEL | FALC-6020-2 | FALC-9030-2 |
|----------------------------------------|-------------------------|----------|-----------------------|-----------------------|
| 包裝尺寸(公厘) Packing Size(mm) | 最長 X 最短 Max. L x Min. L | | 400 x 200 | 700 x 200 |
| | 最寬 X 最窄 Max. W x Min. W | | 350 x 60 | 550 x 60 |
| | 最高 X 最低 Max. H x Min. H | | 180 x 50 | 280 x 50 |
| 包裝能量(次/分) Packing Capacity (time/min.) | | | 5-15 | 5-15 |
| 電源 Power | | | 220V x 0.6KW | 220V x 0.8KW |
| 空氣壓力 Air Pressure | | | 5kg / cm ² | 5kg / cm ² |
| 機械尺寸(長x寬x高) Machine dimension (LxWxH) | | | 1300 x 1150 x 1600 | 1500 x 1450 x 1600 |
| 重量 Weight | | | 300kgs | 400kgs |

除上方標示之一般規格外，特殊規格可另設計規劃。
In addition to above-mentioned sizes, we make other special sizes on request.

機械尺寸之寬度，包括入口輸送帶300mm長。
Machine width including inlet conveyor belt is 300 mm.

FM 系列收縮機 / FM Series PE SHRINK TUNNEL

特點:

- 機械輕巧、不佔空間、使用方便。
- 不傷品質、節省電力、增加利潤。
- 熱縮爐熱輻射均勻，輸送以滾筒帶動，經久耐用，速度快慢由DC馬達控制調整。

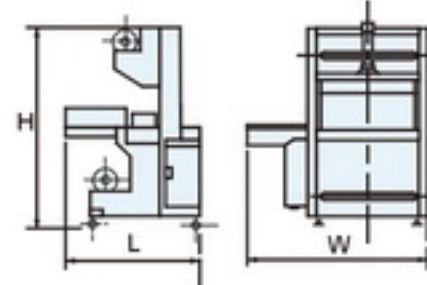
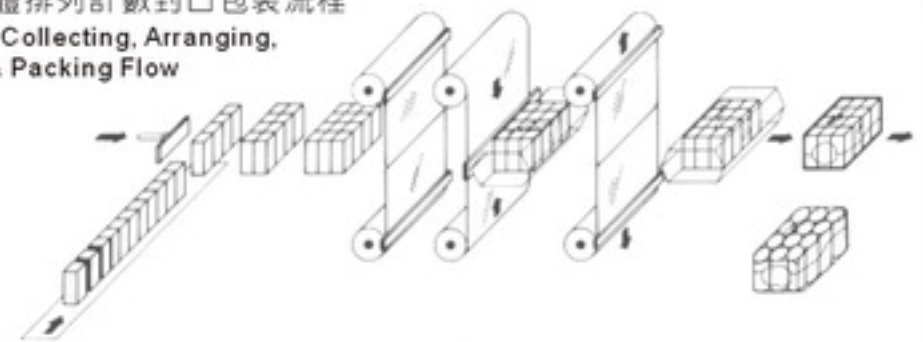
Features:

- To assure the quality without being damaged, to save electricity and to increase profits.
- Heat oven for contracting will send out even heat radiation. Delivery is done by roller with durability. And the speed is controlled and driven by DC motor.

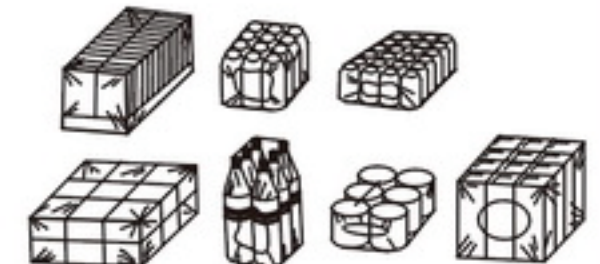
FM 系列規格表 / FM SERIES SPECIFICATION:

| 機型 Model | 規格 Size | 包裝尺寸 Packing Size (WxH) mm | 包裝能力 (公尺/分) Packing Ability (Meter/Min) | 電源 Power | 耗電量 Power Consumption | 內爐尺寸 (長x寬x高) Inner Tunnel L x W x H (mm) | 機械尺寸 (長x寬x高) Tunnel Overall L x W x H (mm) |
|------------|---------|----------------------------|-----------------------------------------|-------------|-----------------------|------------------------------------------|--------------------------------------------|
| FM - 4525 | | 300 x 220 | 1-10M | 220V / 380V | 9 KW | 900x450x250 | 1500x650x1470 |
| FM - 6040L | | 450 x 320 | 1-10M | 220V / 380V | 15~19.5 KW | 1200x600x400 | 1800x800x1620 |
| FM - 7540L | | 600 x 320 | 1-10M | 220V / 380V | 15~19.5 KW | 1200x750x400 | 1800x950x1620 |
| FM - 9040L | | 700 x 320 | 1-10M | 220V / 380V | 19.5~24 KW | 1200x900x400 | 1800x1100x1620 |

全自動集體排列計數封口包裝流程 Fully-Auto Collecting, Arranging, Counting & Packing Flow



機械尺寸圖
M / C Dim. Illustration



集體包裝方式圖例
Example of collective packaging

鋒源機械有限公司

FUNG YUAN MACHINERY CO., LTD.

公司：台中市豐原區圓環北路二段321號

工廠：台中市豐原區東北街187號

Office : No.321, Sec.2, Yuan Hwan North Rd.,
Feng Yuan Dist., 420 Taichung, Taiwan

Factory : No.187, Tung Pei St., Feng Yuan Dist., Taichung, Taiwan

TEL : 886-4-25232986, 25227318, 25253217-8

FAX : 886-4-25276828

Http : //www.fungyuan.com E-mail : fungyuan@ms25.hinet.net