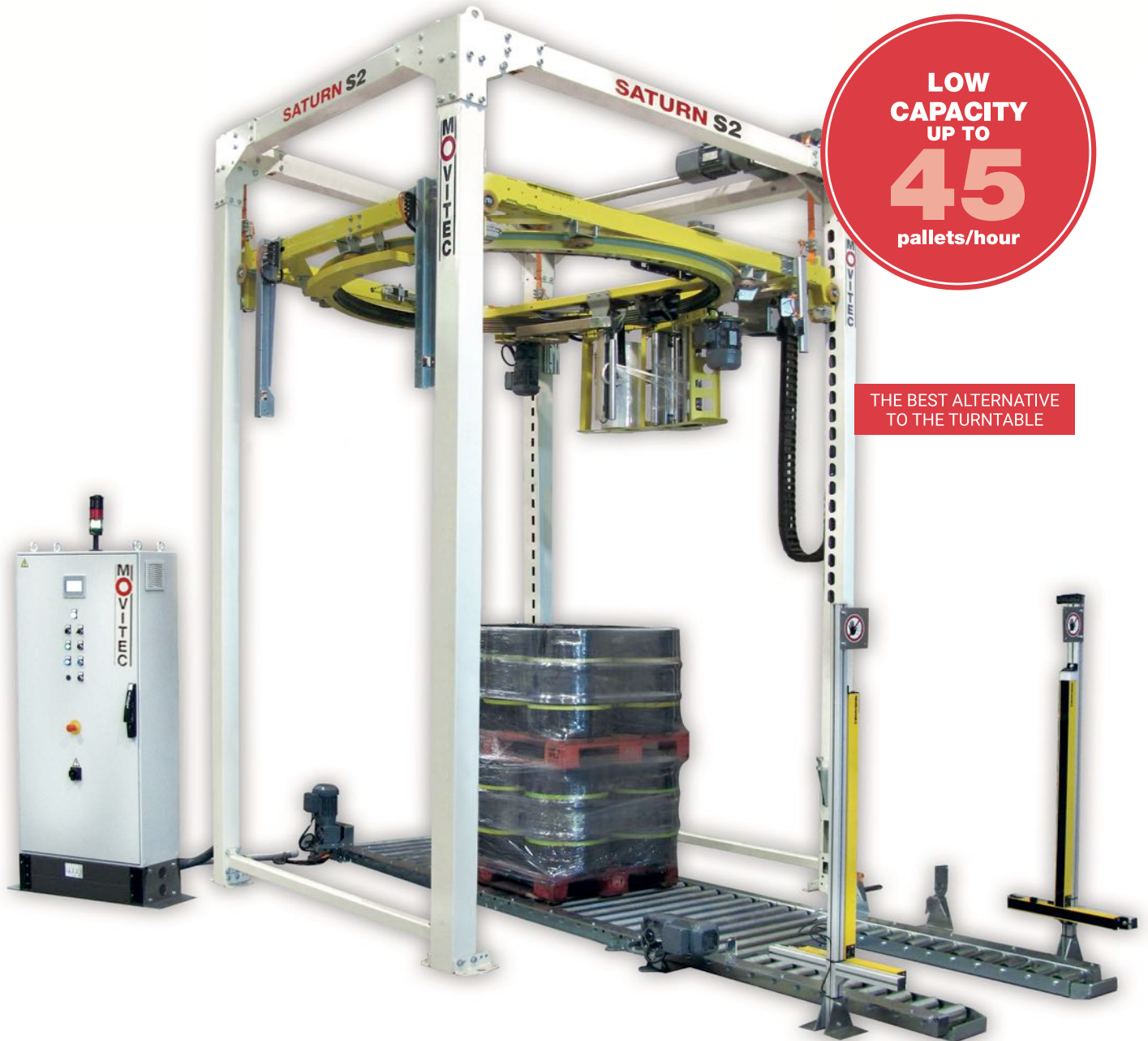


Saturn S2

Automatic rotary ring stretch wrapper



LOW
CAPACITY
UP TO
45
pallets/hour

THE BEST ALTERNATIVE
TO THE TURNTABLE

MOVITEC
PALLET WRAPPING TECHNOLOGY

we dare to try anything

Saturn S2



Automatic rotating ring stretch wrapping machine

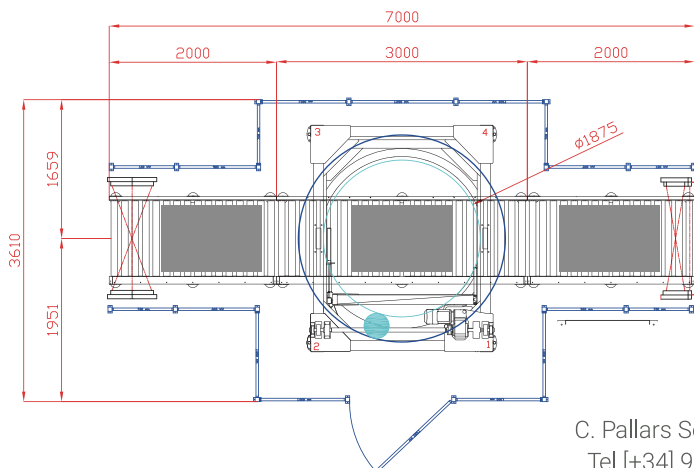
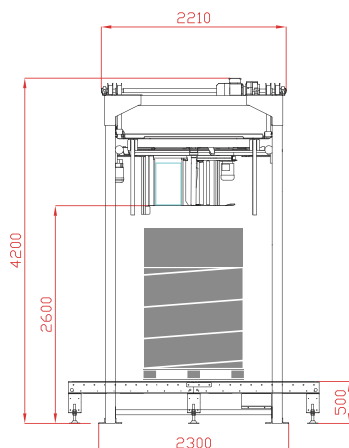
- + **LOW CAPACITY: up to 45 pallets/hour**
- + Maximum quality, high performance and minimum maintenance
- + It is the best alternative to the turntable wrapping machine: more balanced, with less mechanical wear and maintenance. The load remains static: the film reels rotate around the load
- + Guaranteed savings of stretch film: 300% film pre-stretching. 1 m of film becomes 4 m
- + Finishing without tails of film thanks to our efficient cut and welding device
- + Electronic and self-adjusting tension control depending on the profile of the load
- + Possibility of applying efficient dustproof and rainproof wrappings
- + Possibility of wrapping at ground level
- + Capable of applying bands (strips) at any height of the load

Technical properties

- + Voltage: 3 x 400 Vac / 50Hz +N +PE
- + Power supply: 3 kW
- + Compressed air: 6 bar
- + Air consumption: 8 l/cicle
- + Air consumption with top film: 64 l/cicle

STRETCH WRAPPING FILM:

- + Maximum width: 500 mm
- + Maximum diameter: 300 mm
- + Core diameter: 76 mm
- + Film thickness: up to 35 mcr



Standard equipment



Touch panel

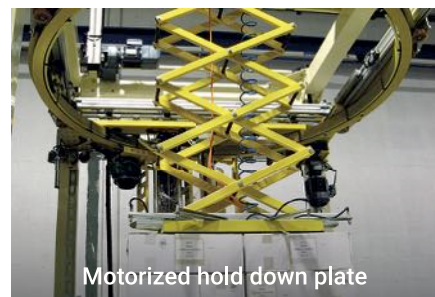


Quick-Load

Optionals



Top sheet dispenser: Dust-proof and Rain-proof



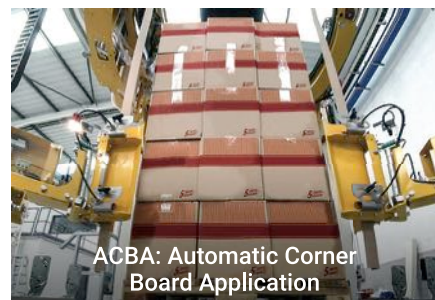
Motorized hold down plate



Roping device



EPS: Electronic Pre-stretch System



ACBA: Automatic Corner Board Application