

Saturn S8

Automatic rotary ring stretch wrapper

**MAXIMUM
CAPACITY**

UP TO

160

pallets/hour

THE FASTEST ONE



MOVITEC
PALLET WRAPPING TECHNOLOGY

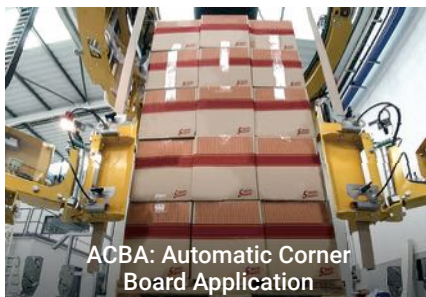
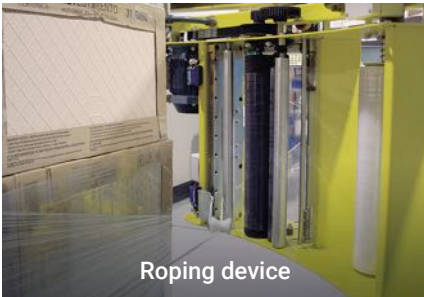
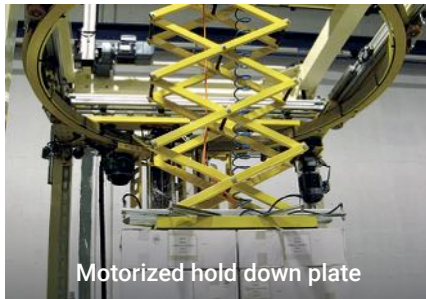
we dare to try anything

- + **MAXIMUM CAPACITY: up to 160 pallets/hour**
- + Maximum quality, high performance and minimum maintenance
- + Double unwinding head
- + The load remains static: the film reels rotate around the load
- + Guaranteed savings of stretch film: 300% film pre-stretching
- + 1m of film becomes 4 m
- + Finishing without tails of film thanks to our efficient cut and welding device
- + Electronic and self-adjusting tension control depending on the profile of the load
- + Possibility of applying efficient dustproof and rainproof wrappings
- + Possibility of wrapping at ground level
- + Capable of applying bands (strips) at any height of the load

Standard equipment



Optionals



Saturn S8



**MAXIMUM
CAPACITY**
UP TO
160
pallets/hour

T3

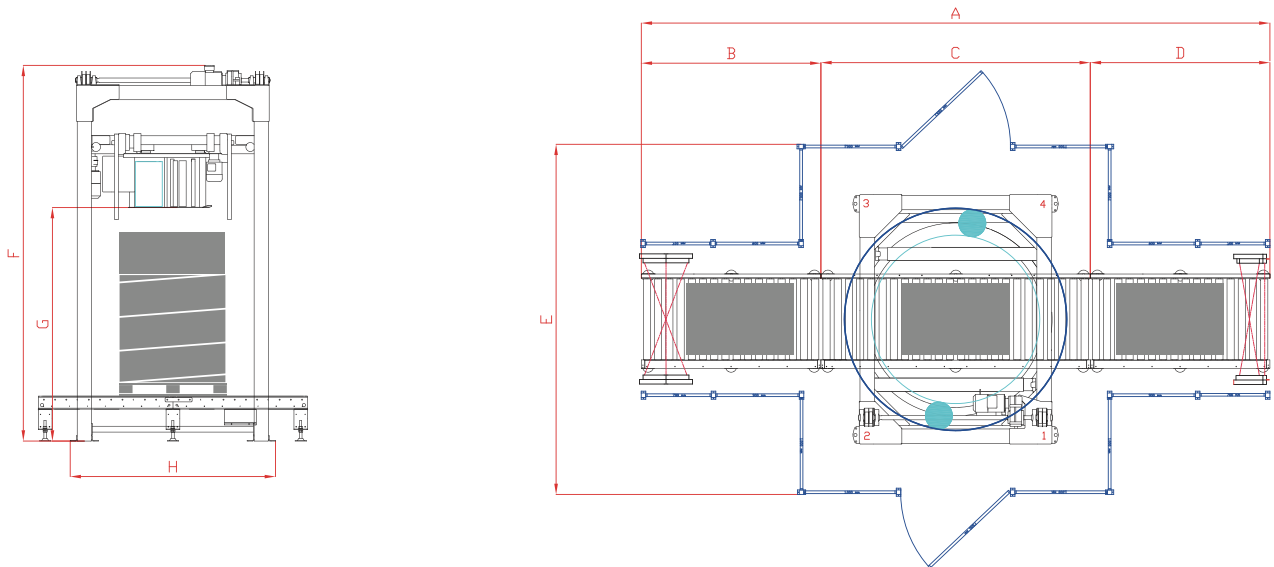
Saturn S8

Automatic rotating ring stretch wrapping machine



| | | D17 | D20 | D23 | D26 | D29 | |
|-----------------------------|-------------------------------|---------------------------------|------|-------|--------|------|--|
| PRODUCTION | Maximum capacity (p/h) | 160 | 150 | 130 | 125 | 80 | |
| MACHINERY DIMENSIONS | A (mm) | 7000 | | 10000 | | | |
| | B (mm) | 2000 | | 3000 | | | |
| | C (mm) | 3000 | | 4000 | | | |
| | D (mm) | 2000 | | 3000 | | | |
| | E (mm) | 3600 | 3800 | 4500 | 4900 | | |
| | F (mm) | | | | 4200 * | | |
| | G (mm) | | | | 2600 * | | |
| | H (mm) | 2300 | 2500 | 3150 | 3450 | | |
| LOAD DIMENSIONS | Maximum width (mm) | 1100 | 1300 | 1500 | 1800 | | |
| | Maximum diagonal (mm) | 1750 | 2050 | 2300 | 2600 | 2800 | |
| | Maximum height (mm) | 2100 (onveyors height 500 mm) * | | | | | |
| POWER SUPPLY | Voltage | 400 V 3P + N + PE 50 Hz | | | | | |
| | Compressed air pressure (bar) | 6 | | | | | |
| STRETCH FILM | Maximum height (mm) | 500 | | | | | |
| | Maximum diameter (mm) | 250 | | | | | |
| | Inner core diameter (mm) | 76 | | | | | |
| | Film thickness (μ) | up to 35 | | | | | |
| TOP FILM | Maximum height (mm) | 1600 | 1800 | 2000 | 2400 | | |
| | Maximum diameter (mm) | 300 | | | | | |
| | Inner core diameter (mm) | 76 | | | | | |
| | Film thickness (μ) | 40 | | | | | |

* Possibility to adapt the frame of the machine for loads higher than 2100 mm



MOVITEC
PALLET WRAPPING TECHNOLOGY



www.movitec-ws.com

C. Pallars Sobirà, 16 · Pol. Industrial La Nora · 25660 · Alcoletge [Lleida] · SPAIN
Tel.[+34] 973 184 059 · Fax [+34] 973 184 008 · comercial@movitec-ws.com