

V F F S



NICHROME

FILPACK SERVO 10K

The Next Revolution in Milk Packaging

➤ High Speed

➤ Accurate

➤ Heavy Duty

 **NICHROME**
Packaging Solutions

An ISO 9001:2008 and ISO 22000:2005 Certified Company

www.nichrome.com

Salient Features

- Automation equipped with CE marked PLC & HMI
- Simple maintenance friendly construction
- Servo Motor controlled Bag Pulling Mechanism
- Independent Head operation allowing flexibility
- Hygienic machine design. MOC of product contact parts from stainless steel SS304
- Servo Driven Impulse Sealing Mechanism
- Motorized Mechanical filling system for consistent fill accuracy and ease of change over
- UV film sterilization system for packaging material
- Motorized Web tracking system
- Jumbo reel trolley with hygienic enclosure
- End of film roll facility with interlock of machine to parking mode
- Motorized film reel unwinding control mechanism
- Heating element failure linked alarm generation
- Electrical system of respective head /track housed in separate cabinet
- Maintenance friendly horizontal & vertical seal mechanism.
- Lubrication free design of the machine.
- Automatic homing of Horizontal jaw position at power on.
- Independent balance tanks offering flexibility to handle different products simultaneously.

Technical Specifications

Pack Quantity /Range : 10 ml to 1000 ml (thru different quantity range options)

Quantity	Output	Accuracy
200/500 ml	10000 packs/hour	+/- 0.3 to 0.5%

*Output and accuracy depending upon film and product to be packed

- Packaging Material** : Co-Extruded virgin LDPE of recommended thickness
- Film Reel** : Core diameter 75 mm & Reel diameter 800 mm max.
- Lay flat width of film** : 325+2/- 0 mm
- Electrical Requirements** : 415 V-AC, 3 Phase, 50 Hz, 4 wire (Stabilized)
- Cooling Water** : 400 liters/hour at 6-8 deg C @ 0.5 bar
- Machine Dimension** : 2100 mm (W) x 2000 mm (D) x 2800 mm (H) (approx.)

Pack Size

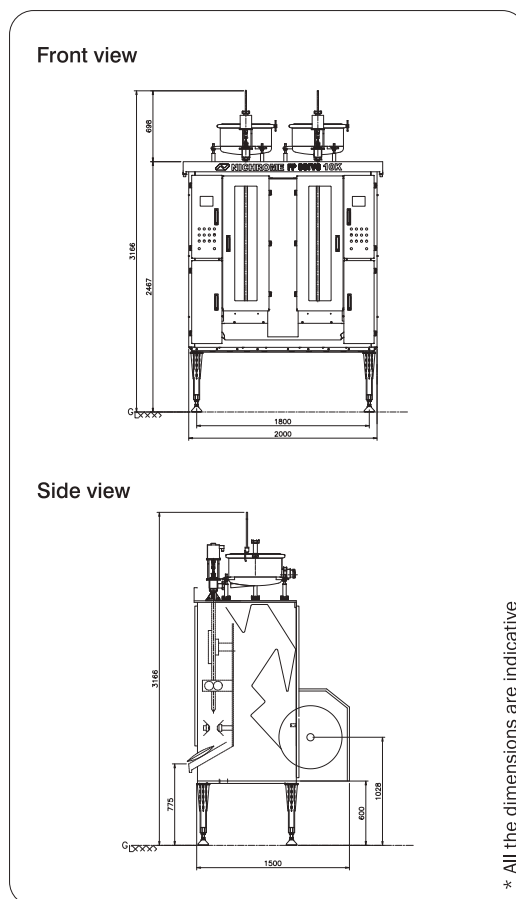
Quantity	Width	Length
200 ml	150 mm	100 mm
500 ml	150 mm	155 mm
1000 ml	150 mm	230 mm

Applications

Plain Milk, Flavored Milk, Lassi, Juice Drinks, Mineral Water

Optional Accessories

- TTO Printer for date batch code / Mechanical rotary ink printer/Embossing in vertical seal
- Photo-mark registration unit
- Pouch Width options of 100 mm & 125 mm available.
- Automatic Pouch Counting and Crating System
- System for Post packaging in bulk plastic bags
- Automatic CIP System
- SCADA System
- Tray and Stand
- Insulated Balance Tanks
- Mounting legs for extended height



Pouch Format



CSPP 500ml

May 2015 www.intericdesigns.com



NICHROME INDIA LTD. Safire Park Galleria, 4, Pune-Mumbai Road, Shivajinagar, Pune - 411 005, India
 Tel.: +91 - 20 - 6601 1001 Fax: +91 - 20 - 6601 1010 E-mail: marketing@nichrome.com www.nichrome.com
 Service Centres & Offices at: Delhi | Kolkata | Mumbai | Bangalore | Hyderabad | Chennai | Ahmedabad
 ASEAN | MIDDLE EAST | SAARC | CIS | AFRICA | USA

Packaging Solutions For • Liquid • Grains • Powders • Seeds • Snacks • Pharma • Personal Care