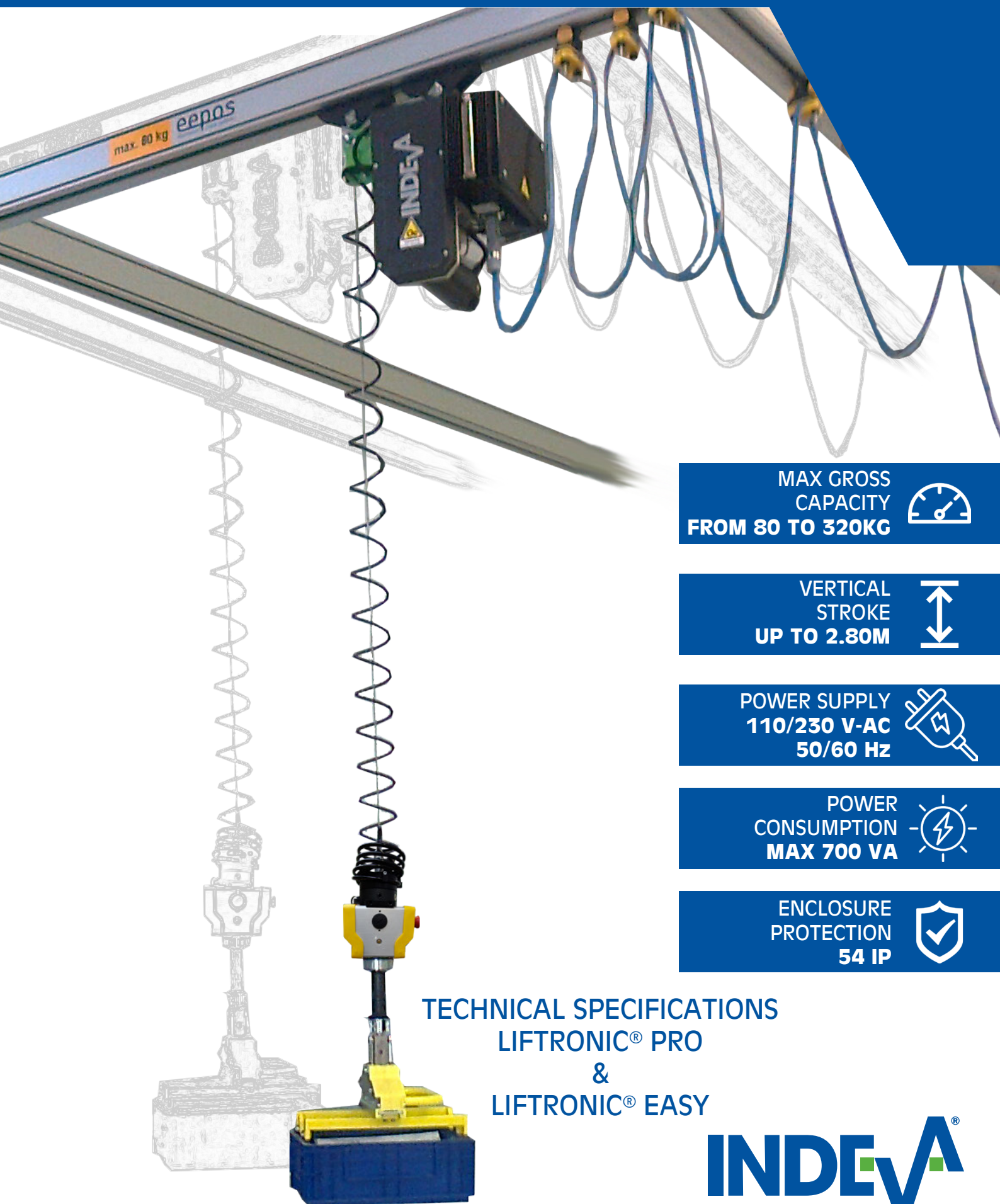


LIFTRONIC® - OVERHEAD RAIL



MAX GROSS
CAPACITY
FROM 80 TO 320KG



VERTICAL
STROKE
UP TO 2.80M



POWER SUPPLY
110/230 V-AC
50/60 Hz



POWER
CONSUMPTION
MAX 700 VA



ENCLOSURE
PROTECTION
54 IP



TECHNICAL SPECIFICATIONS
LIFTRONIC® PRO
&
LIFTRONIC® EASY

INDEVA®

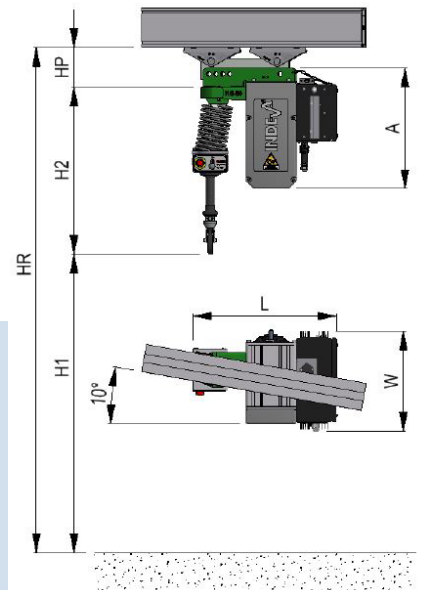
INTELLIGENT DEVICES FOR HANDLING

RAIL MOUNTED LIFTRONIC®

	MODEL EXAMPLES				
	L80R	L125R	L160R	L240R	L320R
Max load capacity with Easy tool head	80	125	160	240	320
Gross load cap. *(Kg)	80	125	160	240	320
Lifting speed (m/s)	0.6	0.375	0.3	0.2	0.15
H1 Vert. stroke (m)	2.8	2.77	2.77	1.85	1.41
H2 **	610	700	700	855	955
Dimension A (mm)	430	430	430	430	455
Dimension L (mm)	470				
Dimension W (mm)	370				
Weight (tool head not included) (kg)	35	40	40	42	45

* Includes the weight of the end effector.

** With standard Easy toolhead



HR height rail: The HR height is given by the sum of $H1 + H2 + HP$. Larger heights can be reached after using special extensions.

Suggested Rail: Demag KBK I / IIL / II - Eepos S / M / L / XL
Dimension HP: Demag = 100mm - Eepos = 143mm

Optionals on request:

- Paint color: other than standard (green RAL 6018)
- Plates and Labels without "INDEVA" brand name

LIFTRONIC® - OVERHEAD ARM



MAX GROSS
CAPACITY
FROM 80 TO 320KG



VERTICAL
STROKE
UP TO 2.80M



POWER SUPPLY
110/230 V-AC
50/60 Hz



POWER
CONSUMPTION
MAX 700 VA



ENCLOSURE
PROTECTION
54 IP

TECHNICAL SPECIFICATIONS
LIFTRONIC® PRO
&
LIFTRONIC® EASY

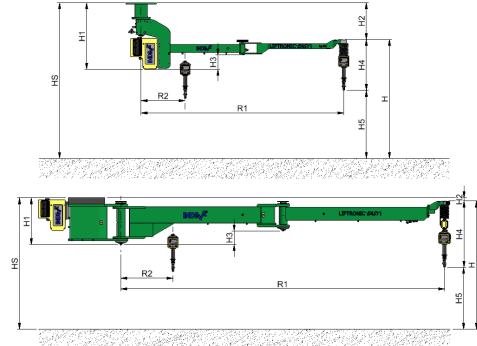
INDEVA®

INTELLIGENT DEVICES FOR HANDLING

LIFTRONIC® WITH COLUMN & ORBIT-ARM

MODEL EXAMPLES

	L80SL	L125SH	L160SH	L240SX	L320SX
Column size	Light	Heavy	Heavy	Extra	Extra
Gross load cap.* (Kg)	80	125	160	240	320
Max vert stroke (mm)	2800	2770	2770	1850	1410
R1 (mm)	2500	3000	3000	3500	3500
R2 (mm) out-of-reach area	450	760	760	1005	1005
H1 (mm)	821	861	861	581	581
H2 (mm)	455	497	497	40	40
H3 (mm)	179	119	119	171	171
H4 (mm)**	657	747	747	911	1011
Max rotation around column axis (deg)	360°	360°	360°	270°	270°
Weight (tool head not included) (kg)	135	245	245	345	345



* Includes the weight of the end effector.

** With standard Easy toolhead

*** Rope extension available on request, in order to reach floor level.

ADDITIONAL AVAILABLE STANDARD SIZES FOR COLUMN AND ARM

		ARM LENGTH R1 (m)				
		2.5	3	3.5	4	4.5
L = Light	Load cap kg	80	60	40	-	-
	R2 (mm)	450	550	650	-	-
H = Heavy	Load cap kg	260	190	140	105	78
	R2 (mm)	630	760	880	1020	1140
X = Extra	Load cap kg	-	320	320	280	220
	R2 (mm)	-	860	1005	1150	1300

COLUMN DIMENSIONS

	STRUCTURE		
	Light	Heavy	Extra
Standard Height (mm)	200	200	-
Max height (mm)	-	-	1500
H2 (mm)	455	497	40
Anchor bolts	4 X M16	4 X M16	6 X M16

Beware the max required stroke when assessing the mounting height.

BASE PLATE

Light 375 x 375
Heavy 500 x 500
Extra 450 x 450

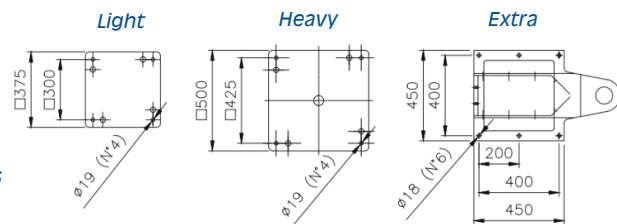
Assessment of height of ceiling assembly point or trolley.
WARNING: in case $HS < 2850$ mm check for possible risk of impact with operator. ($2800 - H1 = 1989$ mm)
In case $HS > 2850$ check feasibility of using rope extensions
 $HS = HR + H1$.

In case of Liftronic Easy $HS_{Max.} = 3400$ mm + H1

In case of light and heavy sizes, for HS longer than standard (table "COLUMN DIMENSIONS") use column extensions.

Optionals on request:

- Paint color: other than standard (green RAL 6018)
- 3-jointed arm (only for Light & Heavy sizes)



Due to continuous product improvement, these specifications may change without notice.

This document is property of INDEVA S.p.A.; any partial or full reproduction without written authorization by the owner is prohibited.