



# PointPaq™

Series of automated integrated carton forming,  
carton packing, and sealing systems



Monoblock Cartoning Station

Combi 15

## Monoblock Cartoning Station



Carton erector, carton packer and carton sealing with hot melt glue.

Cartoning station of new generation, with integrated erecting, packing and sealing sections for RSC cartons. Compact footprint designed to work with different types of products.

### Compact footprint

Output and efficiency are guaranteed by the rational integration of the different working sections.

### Highly reliable

The high reliability of the monoblock is guaranteed by a simple movement system optimised with the employment of reliable components and Brushless motors for the main movements.

### Carton opening

The carton forming is realised during the carton outfeed from the magazine and shaped guides are used. The carton erection is carried out by a mobile arm equipped with suction cups. This system allows a quick and safe opening also of very difficult cartons.

### Only one control panel

All machine functions are controlled from only one position so as to allow an immediate and global management of the machine.

### Quick format changeover

The format changeover is very easy and quick to carry out thanks to a limited number of adjustment operations with hand-wheels, handles and knobs within operators' easy reach without the need of working tools.

### Reduced maintenance

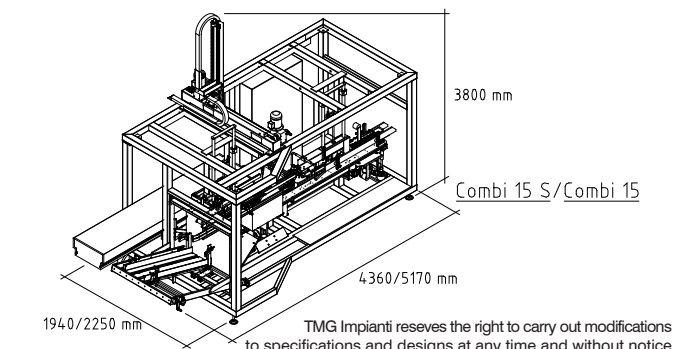
The monoblock has been designed with only one electro-pneumatic plan and a very easy movement system fully integrated and optimised.

### General technical characteristics

Mechanics speed:	cycles/hour	up to 900
Air consumption 6/7 bar:	NL/min.	about 250
Max. installed power:	kW	7



Bottles cartoning machine with bells pick-up head system.



Carton closing and sealing machine with adhesive tape.

### TMG Impianti S.p.A.

via Regia, 5  
35018 San Martino di Lupari (PD) ITALY  
Tel.+39 049 9467911 Fax +39 049 9467900

[www.tmgimpianti.it](http://www.tmgimpianti.it)

